

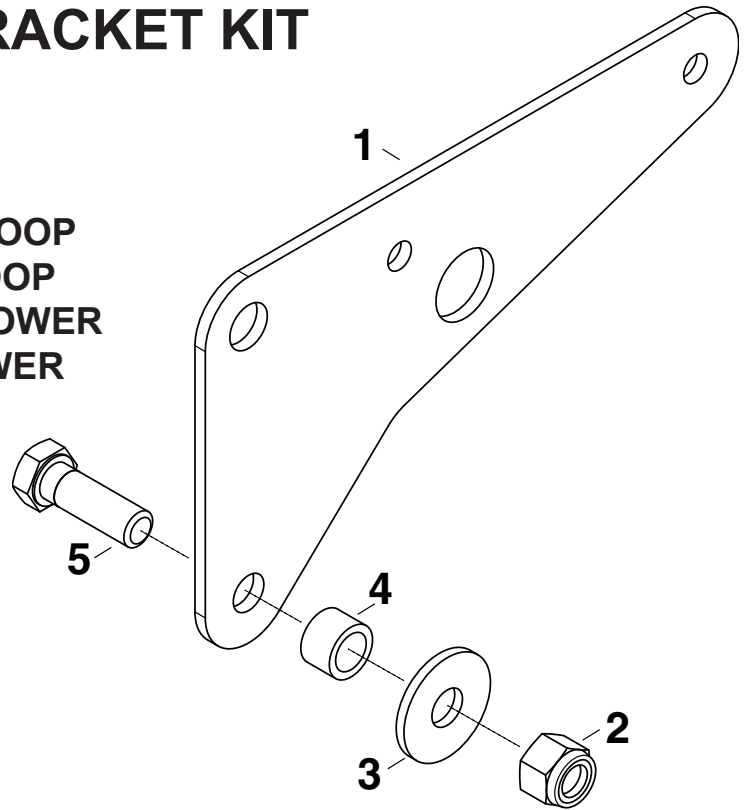
# Agri-Fab®

## Lawn Care Made Easy®

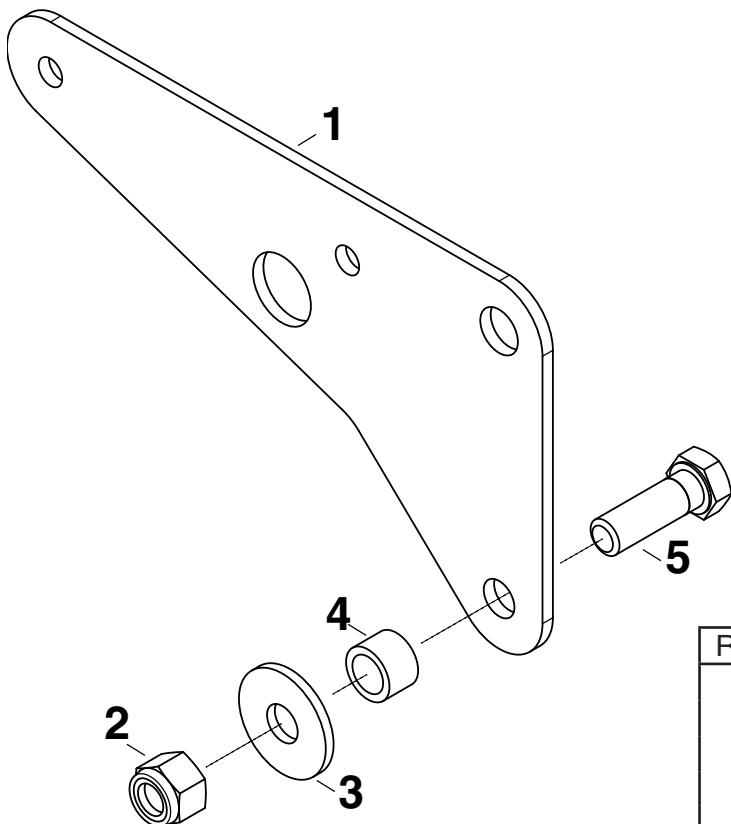
### 6-135 FRAME BRACKET KIT

**COMPATIBLE WITH:**

71-24847 CRAFTSMAN FRONT END SCOOP  
 45-0403 HUSQVARNA FRONT END SCOOP  
 71-24846 46" CRAFTSMAN SNOW THROWER  
 GST46 46" CRAFTSMAN SNOW THROWER



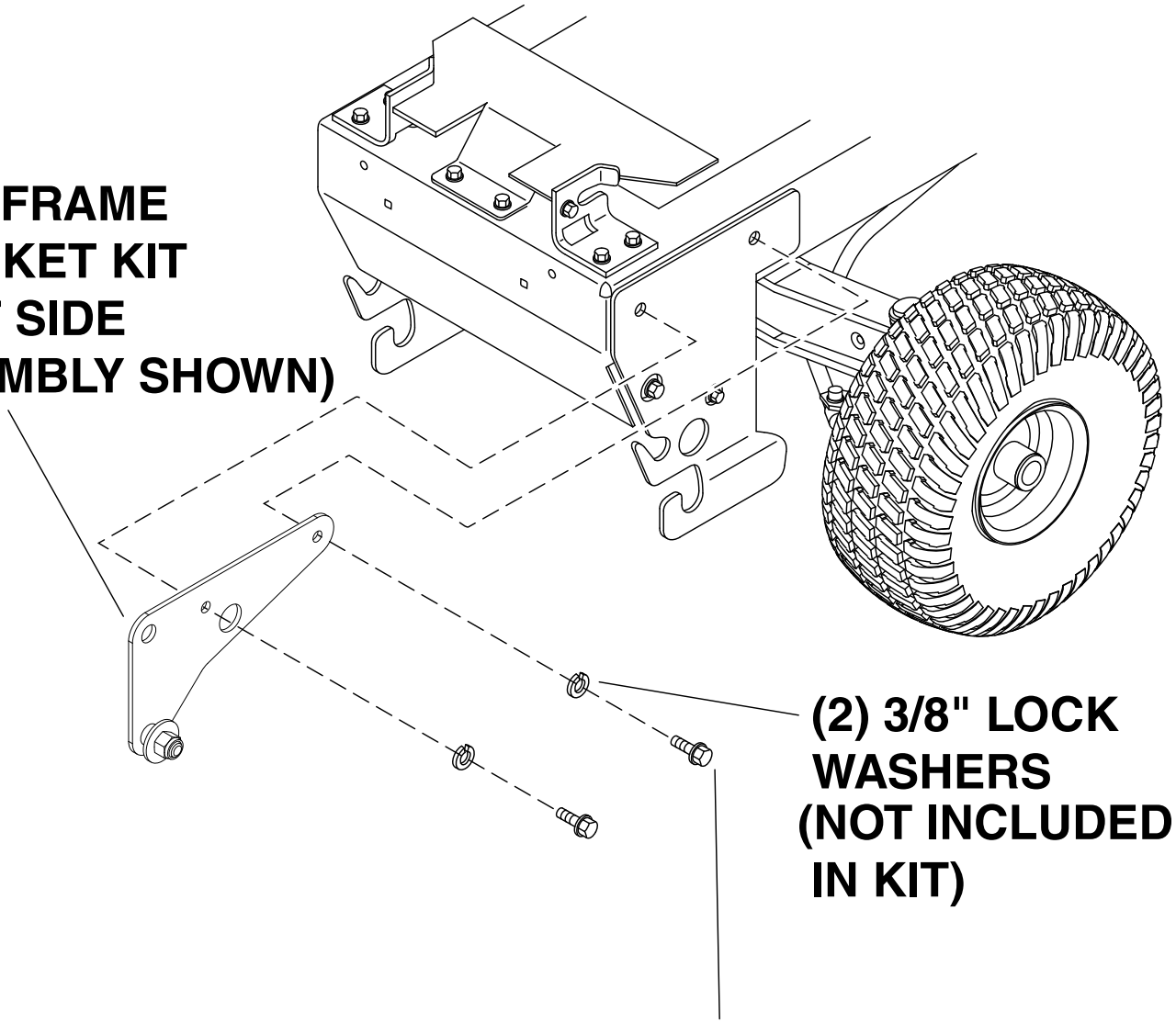
**Left Side Assembly**



**Right Side Assembly**

REF	PART NO.	QTY	DESCRIPTION
1	2-122BL1	1	BRACKET, FRAME
2	41657	1	NUT, HEX 1/2-13 NYLOCK
3	R19172410	1	WASHER, .531 X 1.5 X .134
4	24817	1	SPACER, .530ID X .750OD X .50
5	43020	1	BOLT, HEX 1/2-13 X 1-1/2

**6-135 FRAME  
BRACKET KIT  
(LEFT SIDE  
ASSEMBLY SHOWN)**



**(2) 3/8" LOCK  
WASHERS  
(NOT INCLUDED  
IN KIT)**

**(2) 3/8" x 1"  
HEX BOLTS  
(NOT INCLUDED  
IN KIT)**